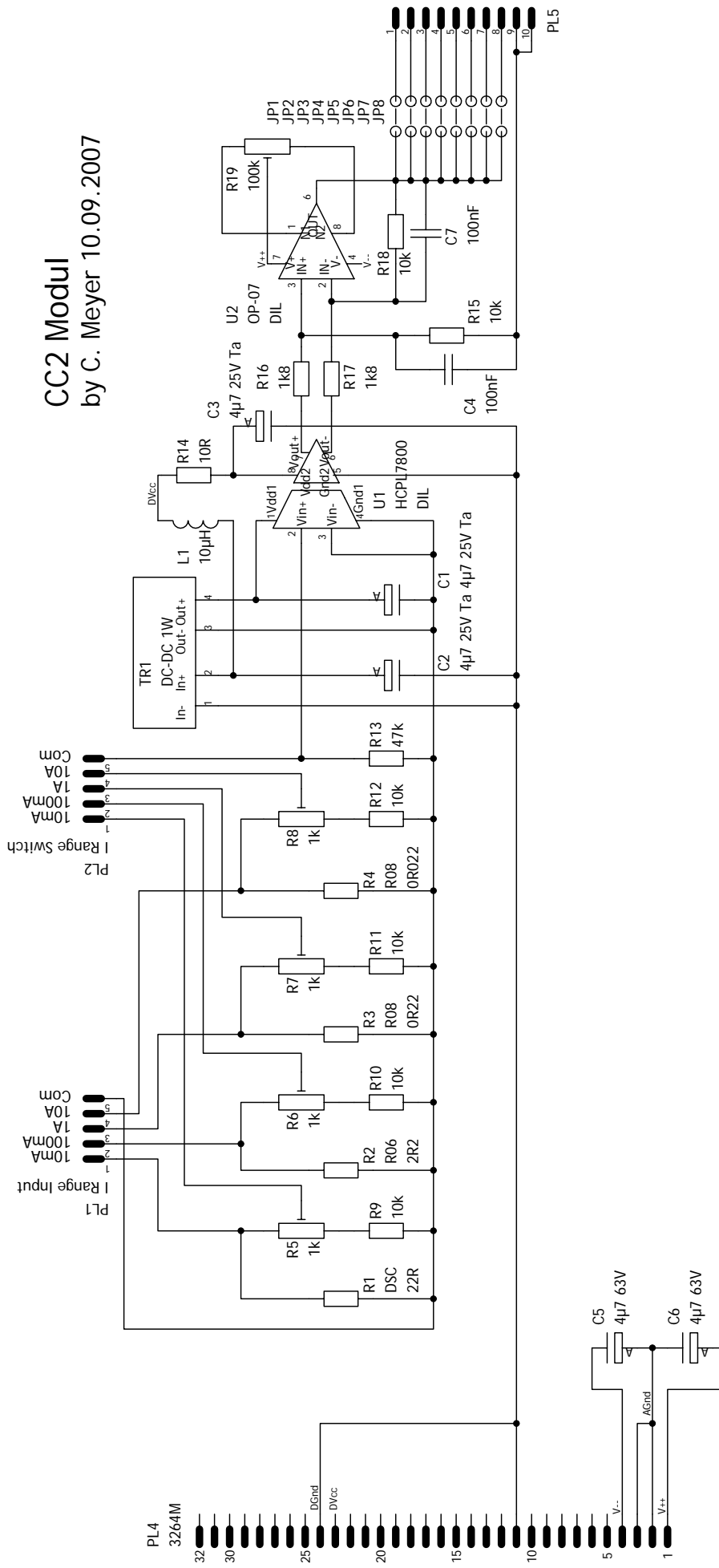


CC2 Modul

by C. Meyer 10.09.2007



PL2
I Range Input
1 10mA
2 100mA
3 1A
4 10A
5 Com

PL1
I Range Input
1 10mA
2 100mA
3 1A
4 10A
5 Com

PL4
3264M
32
30
25
20
15
10
D+Gnd
D-Vcc
V--
AGnd
V++

TR1
DC-DC 1W
In-
In+
Out-
Out+

L1
10µH

C3
4µ7 25V Ta

R14
10R

U1
HCP17800
DIL

U2
OP-07
DIL

R1
DSC 22R

R2
R06 2R2

R3
R08 0R22

R4
R08 0R022

R5
1k

R6
1k

R7
1k

R8
1k

R9
10k

R10
10k

R11
10k

R12
10k

R13
47k

C1
4µ7 25V Ta

C2
4µ7 25V Ta

R15
10k

C4
100nF

R16
1k8

R17
1k8

R18
10k

C7
100nF

R19
100k

JP1
JP2
JP3
JP4
JP5
JP6
JP7
JP8

PL5
1
2
3
4
5
6
7
8
9
10