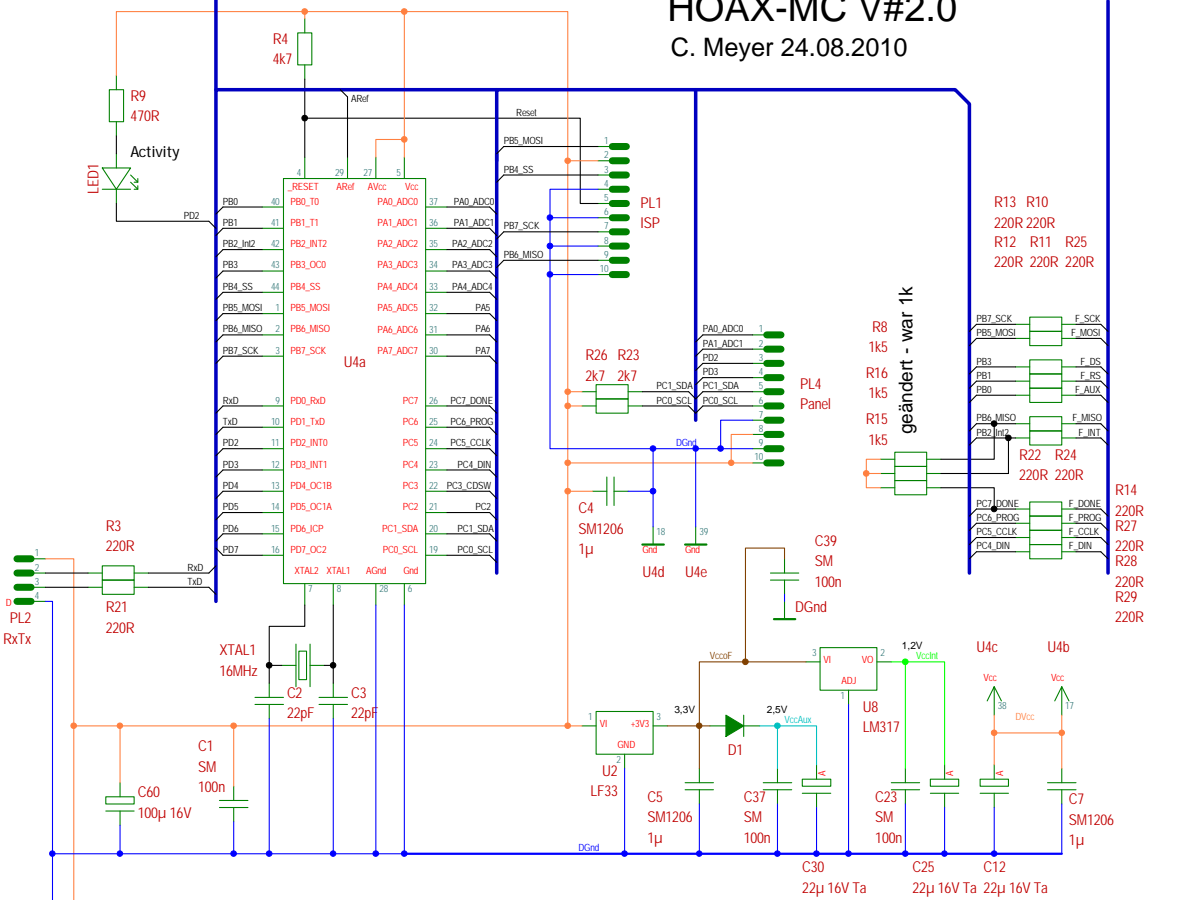


Atmel DataFlash AT25DF021

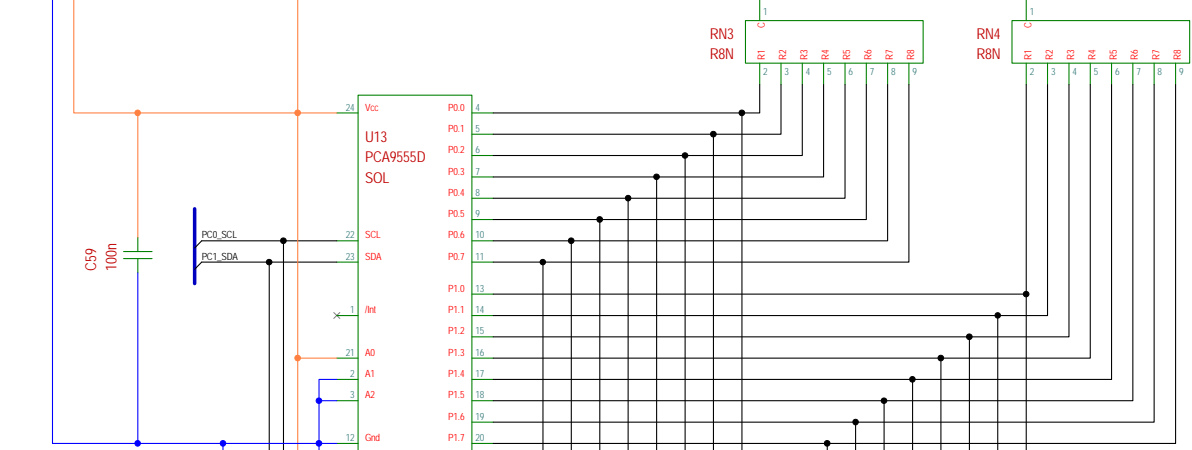
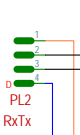
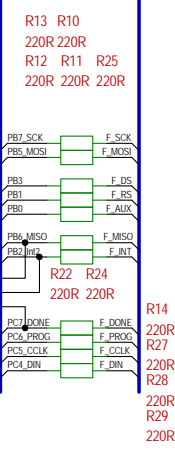
HOAX-MC V#2.0

C. Meyer 24.08.2010

zum FPGA



geändert - war 1k



Tabs A
 Pin Number - Function
 1-2 Perc ON
 3-4 Perc THIRd
 5-6 Perc LONG
 7-8 Perc SOFT

Pin Number - Function (active low)
 nc - V/b1 (no connection)
 1 - Cho1
 2 - Vib2
 3 - Cho2
 4 - Vib3
 5 - Cho3
 6 - ON upper
 7 - ON lower
 8 - not used
 9 - GND

