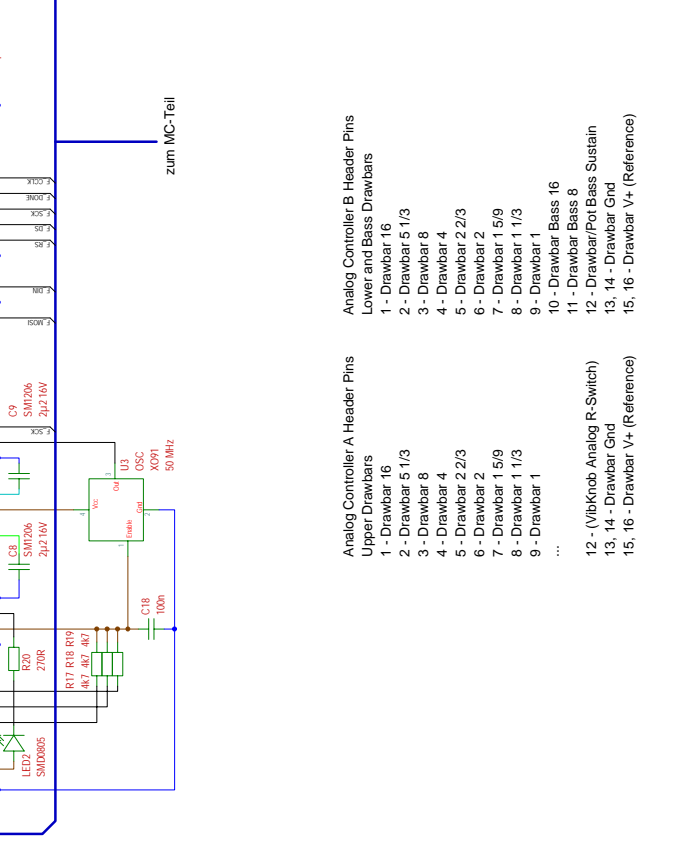
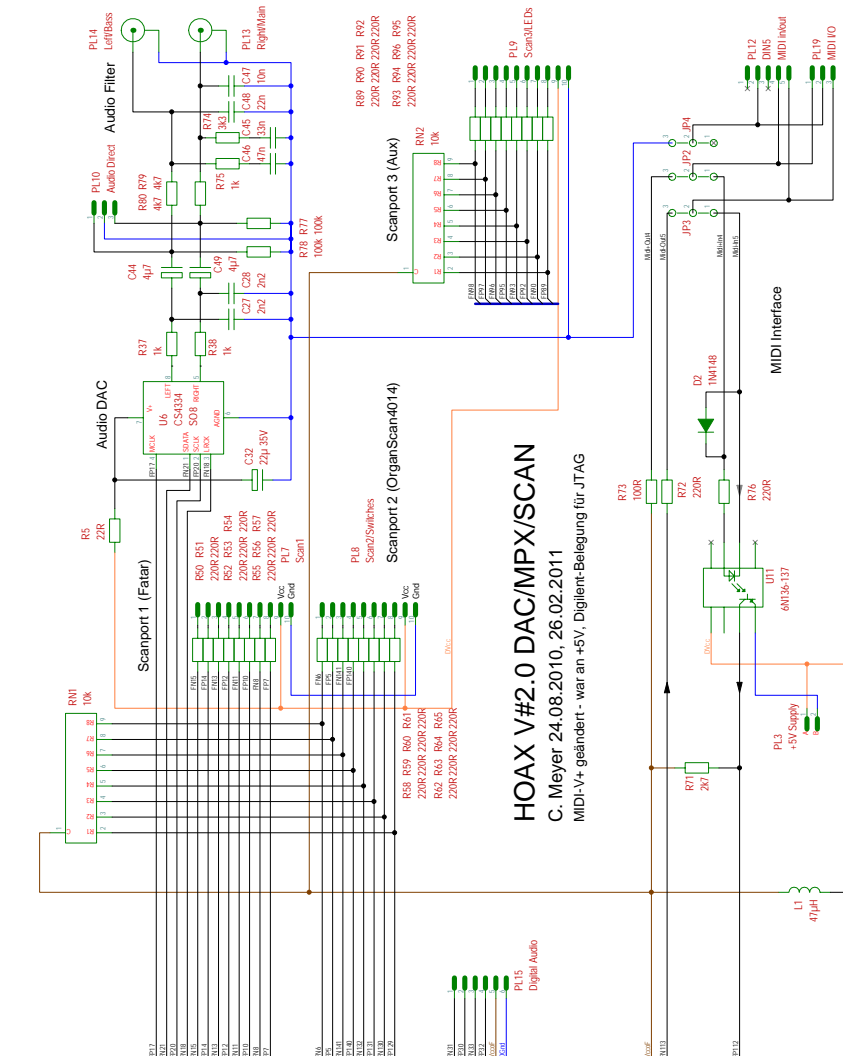


HOAX V#2.0 DAC/MPX/SCAN

C. Meyer 24.08.2010, 26.02.2011
MIDI-V+ geändert - war an +5V, Digitlent-Belegung für JTAG



- zum MC-Teil
- Analog Controller A Header Pins
Upper Drawbars
1 - Drawbar 16
2 - Drawbar 5 1/3
3 - Drawbar 8
4 - Drawbar 4
5 - Drawbar 2 2/3
6 - Drawbar 2
7 - Drawbar 1 5/9
8 - Drawbar 1 1/3
9 - Drawbar 1
10 - Drawbar Bass 16
11 - Drawbar Bass 8
12 - (Vib)Knob Analog R-Switch
13, 14 - Drawbar Gnd
15, 16 - Drawbar V+ (Reference)
- Analog Controller B Header Pins
Lower and Bass Drawbars
1 - Drawbar 16
2 - Drawbar 5 1/3
3 - Drawbar 8
4 - Drawbar 4
5 - Drawbar 2 2/3
6 - Drawbar 2
7 - Drawbar 1 5/9
8 - Drawbar 1 1/3
9 - Drawbar 1
10 - Drawbar Bass 16
11 - Drawbar Bass 8
12 - Drawbar/Pot/Bass Sustain
13, 14 - Drawbar Gnd
15, 16 - Drawbar V+ (Reference)